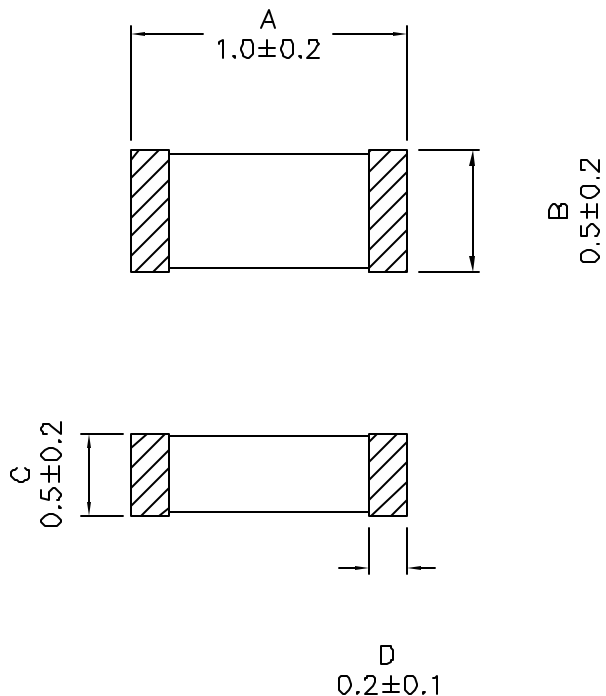


1. Mechanical



2. Electrical Specifications: @25°C

INDUCTANCE: $1.3nH \pm 0.3nH$ @100MHz

Q: 8.0 Min @100MHz

DC RESISTANCE: 0.12 OHMS Maximum

SRF: 4000MHz

I_{dc}: 300mA Max

Notes:

1. Solderability: Leads shall meet MIL-STD-202G, Method 208H for solderability.
2. Flammability: UL94V-0
3. ASTM oxygen index: > 28%
4. Insulation System: Class F 155°C, UL file E151556
5. Operating Temperature Range: All listed parameters are to be within tolerance from -40°C to +85°C
6. Storage Temperature Range: -55°C to +125°C
7. Aqueous wash compatible
8. SMD Lead Coplanarity: $\pm 0.004"$ (0.102mm)
9. Electrical and mechanical specifications 100% tested
10. RoHS Compliant Component

XFMRs Inc. www.XFMRs.com	Title: Multi Layer Chip Inductor		
	UNLESS OTHERWISE SPECIFIED	P/N: XFE1100505-1N3S	REV. A
TOLERANCES: .xxx ± 0.020	DWN.	李小锋	NOV-20-07
Dimensions in MM	CHK.	廖玉坤	NOV-20-07
SHEET 1 OF 1	APP.	MS	NOV-20-07

DOC. REV: A/1